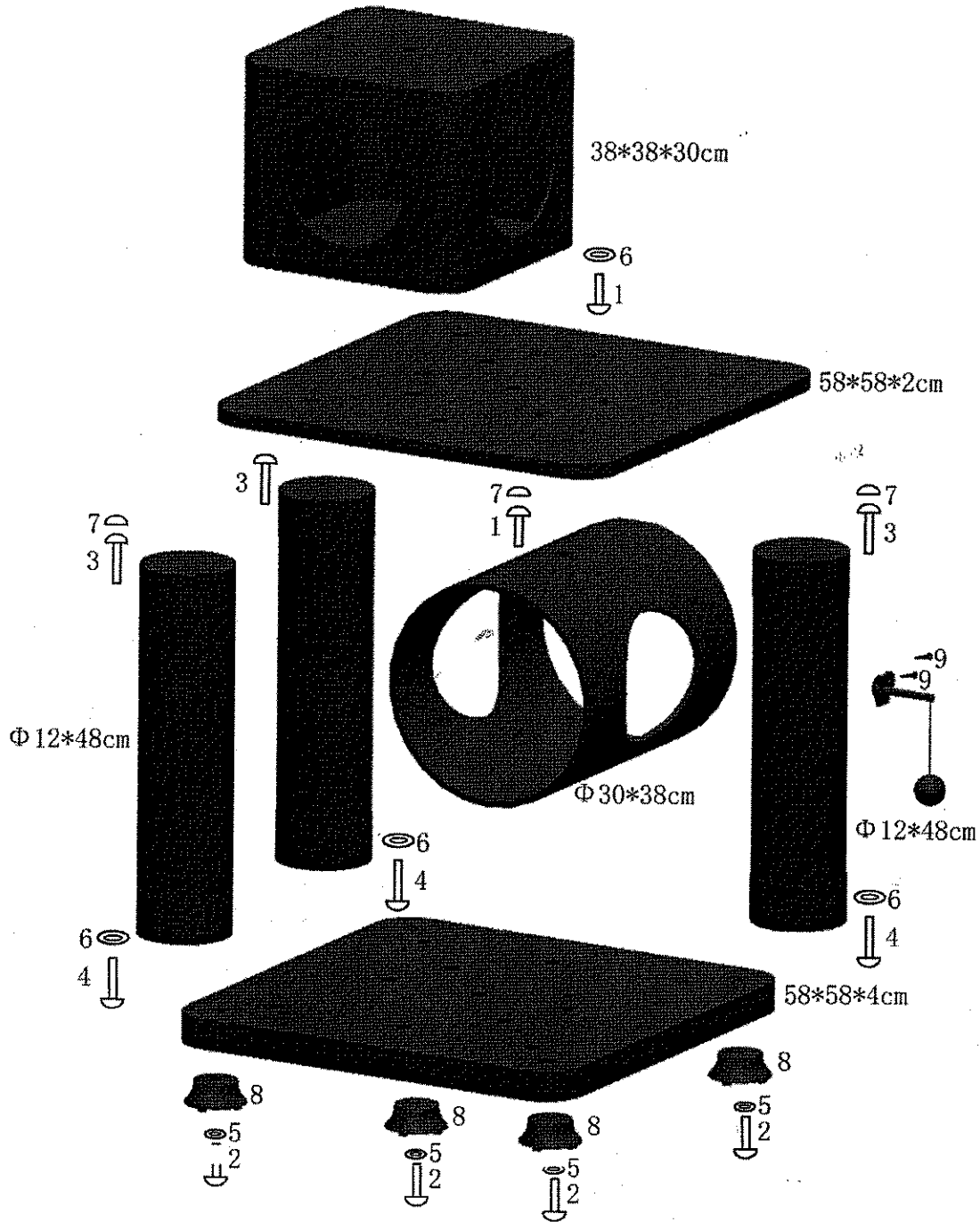


63236 Deon

- ↓ NO. 1 $\Phi 10 \times 35 \text{MM} = 2 \text{PCS}$
- ↓ NO. 2 $\Phi 10 \times 40 \text{MM} = 4 \text{PCS}$
- ↓ NO. 3 $\Phi 10 \times 50 \text{MM} = 3 \text{PCS}$
- ↓ NO. 4 $\Phi 10 \times 60 \text{MM} = 3 \text{PCS}$
- NO. 5 $\Phi 24 \text{MM} = 4 \text{PCS}$
- NO. 6 $\Phi 40 \text{MM} = 4 \text{PCS}$
- ⌒ NO. 7 COVER = 3 PCS
- ⌒ NO. 8 4 PCS
- ↑ NO. 9 $\Phi 4 \times 16 \text{MM} = 2 \text{PCS}$
- └─┬─┘ 1 PC



SIZE: 58*58*87.5CM