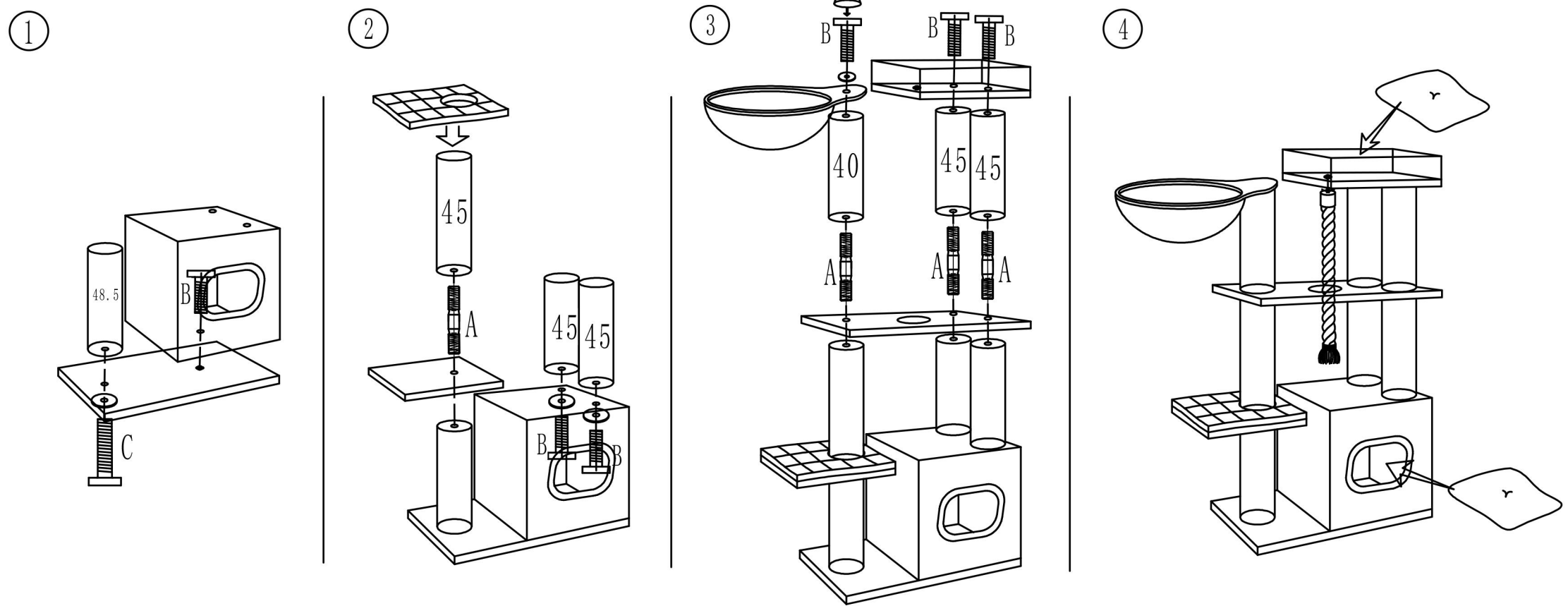


63740 (2)

Cat Tree Assembly Drawing



- | | | | |
|---|--|--|---|
| 1 × $\text{Ø}15 \times 40\text{cm } 1/2$ | 1 × $80 \times 50 \times 4\text{cm } 1/2$ | 1 × $50 \times 50 \times 50\text{cm } 2/2$ | 1 × $8 \times 60\text{mm } 1/2$ |
| 5 × $\text{Ø}15 \times 45\text{cm } \begin{matrix} 2-1/2 \\ 3-2/2 \end{matrix}$ | 1 × $80 \times 50\text{cm } 1/2$ | 1 × $50 \times 50 \times 50\text{cm } 2/2$ | 4 × $\text{Ø}8 \times 80\text{mm (A)}$ |
| 1 × $\text{Ø}15 \times 48.5\text{cm } 1/2$ | 1 × $40 \times 40\text{cm } 2/2$ | 1 × $\text{Ø}45\text{cm } 1/2$ | (14+1) × $\text{Ø}8 \times 40\text{mm (B)}$ |
| 2 × $45 \times 45\text{cm } 1/2$ | 1 × $50 \times 50 \times 13\text{cm } 2/2$ | 1 × $\text{Ø}8 \times 60\text{mm (C)}$ | 1 × $\text{Ø}8 \times 8\text{mm}$ |
| 1 × $40 \times 40\text{cm } 1/2$ | | 1 × $\text{Ø}5 \times 70\text{cm } 1/2$ | 4 × $\text{Ø}8 \times 8\text{mm}$ |
| | | | 5 × $\text{Ø}8 \times 8\text{mm}$ |

63740 (1)

Cat Tree Assembly Drawing

