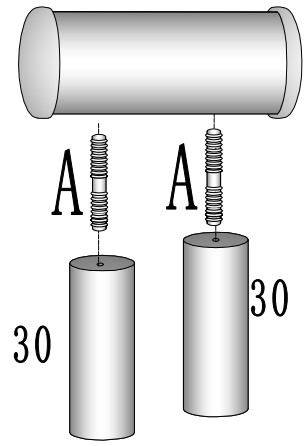


# 63782 Cat Tree Assembly Drawing

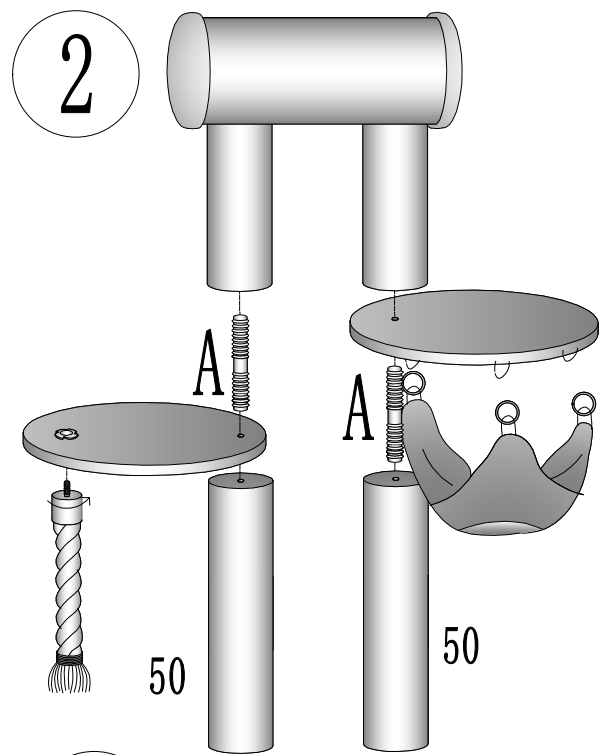


Parts	Size	Number
	Ø11×20cm	1
	Ø11×30cm	2
	Ø11×50cm	2
	Ø50×4cm	1
	Ø40×2cm	1
	Ø40×2cm	1
	Ø35×8cm	1
	50×43cm	1
	Ø22×40cm	1
	Ø5×40mm	1
	10×60mm	1
	Ø10×80mm (A)	4
	Ø10×60mm (C)	3
		3

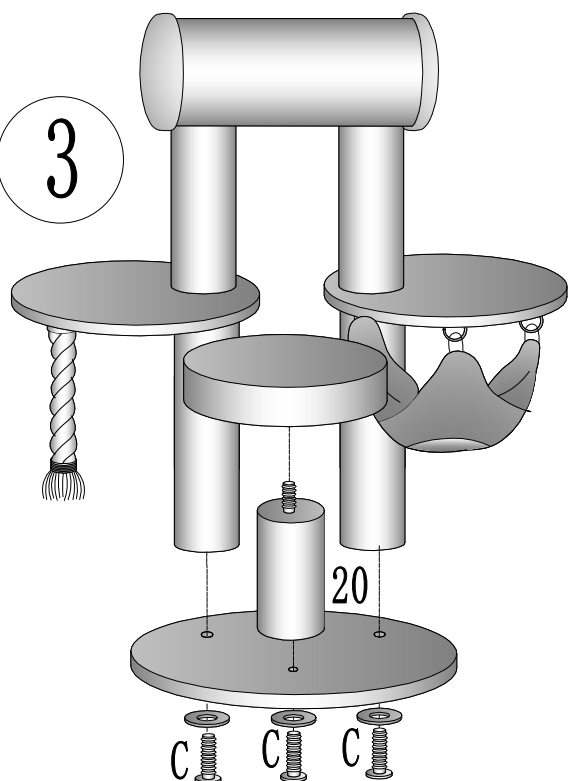
1



2



3



4

