
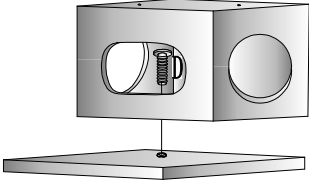
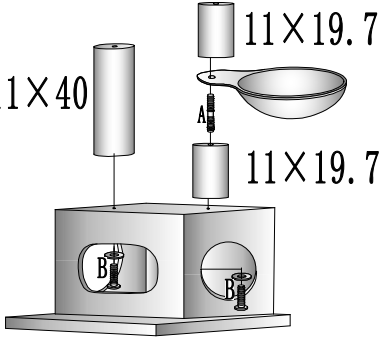


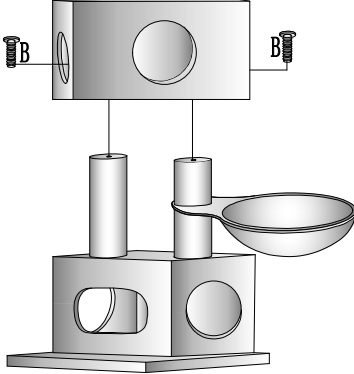
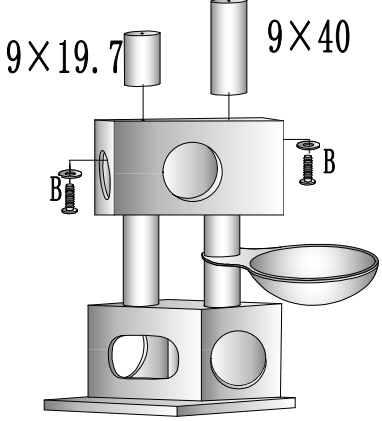


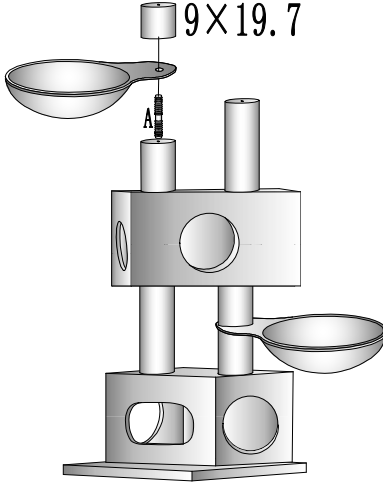
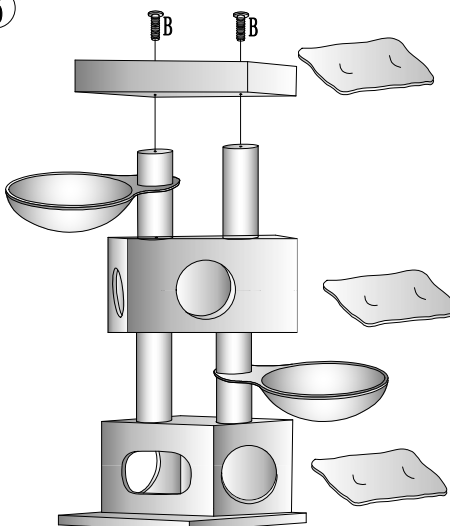

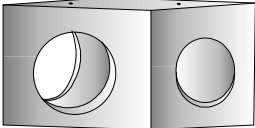
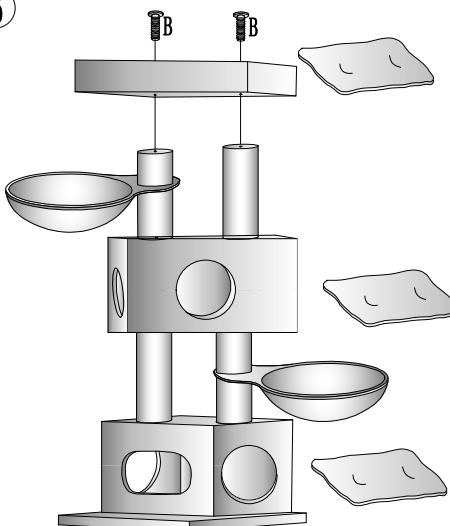
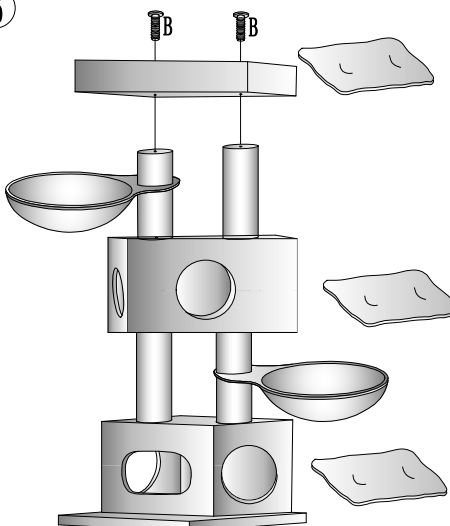
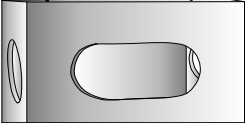

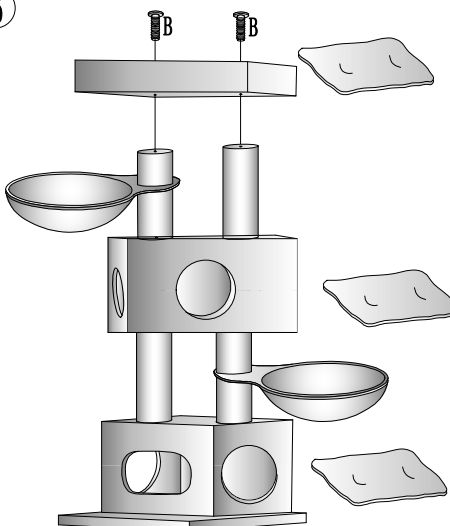
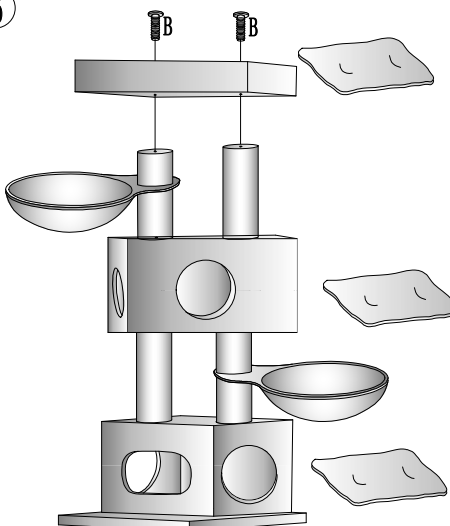


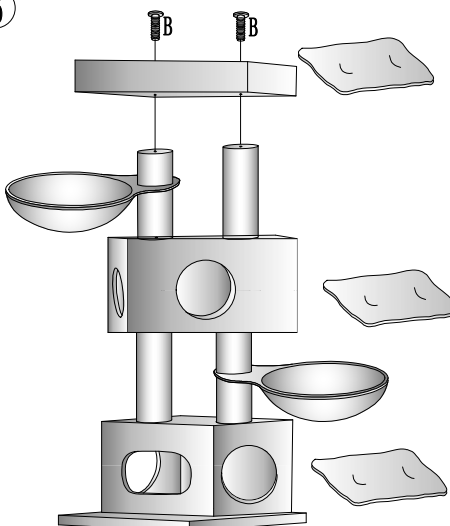
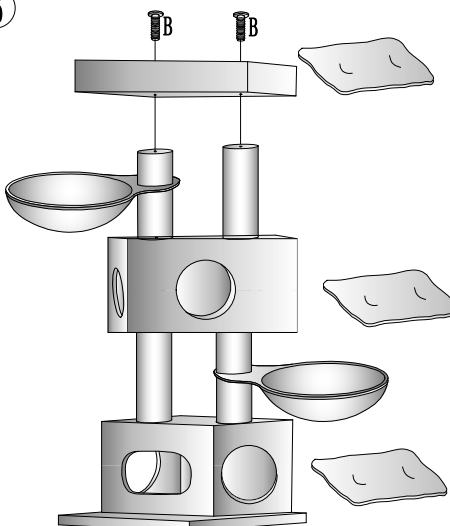


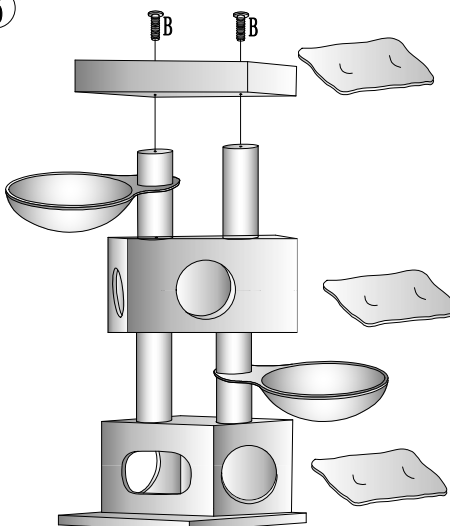
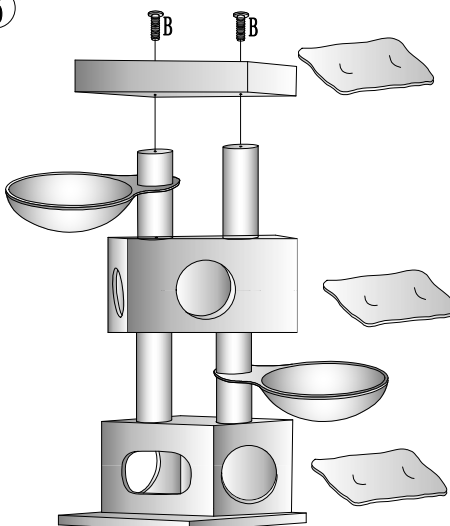




# Cat Tree Assembly Drawing

Parts	Size	Number	①	②
	$\varnothing 9 \times 19.7 \text{cm}$	2		
	$\varnothing 9 \times 40 \text{cm}$	1		
	$\varnothing 11 \times 19.7 \text{cm}$	2		
	$\varnothing 11 \times 40 \text{cm}$	1		
	$50 \times 50 \times 4 \text{cm}$	1		
	$40 \times 40 \times 8 \text{cm}$	1		
	$40 \times 40 \times 30 \text{cm}$	1		
	$40 \times 40 \times 30 \text{cm}$	1		
	$\varnothing 40 \text{cm}$	2		
	$38 \times 38 \times 3 \text{cm}$	3		
	$10 \times 80 \text{mm}$	1		
	$10 \times 80 \text{mm (A)}$	2		
	$\varnothing 10 \times 40 \text{mm (B)}$	8+1		
	$\varnothing 10 \times 35 \text{mm (D)}$	1		
	$\varnothing 35 \text{mm (D)}$	4	