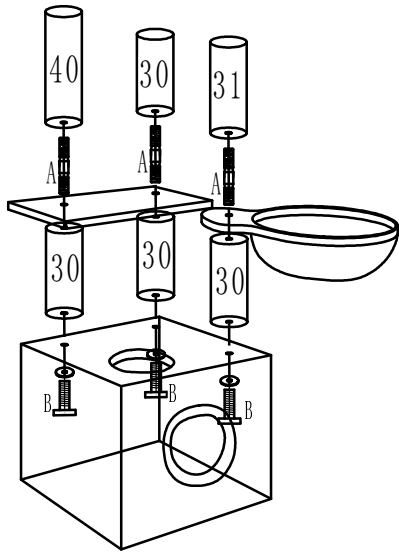
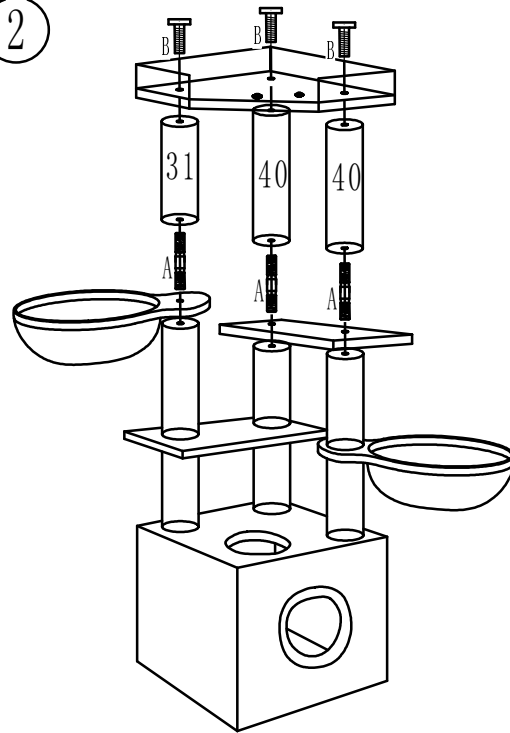


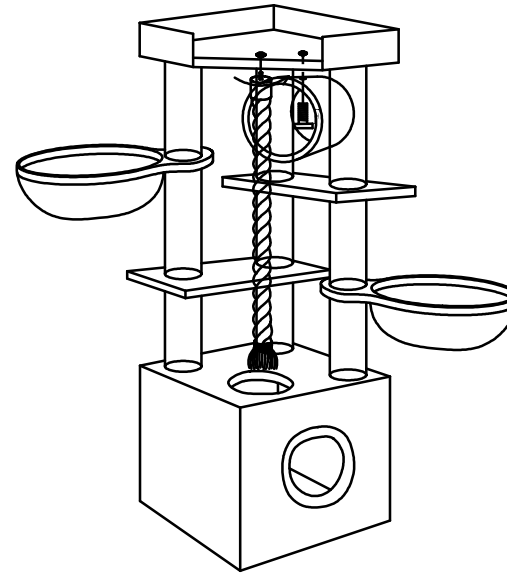
1



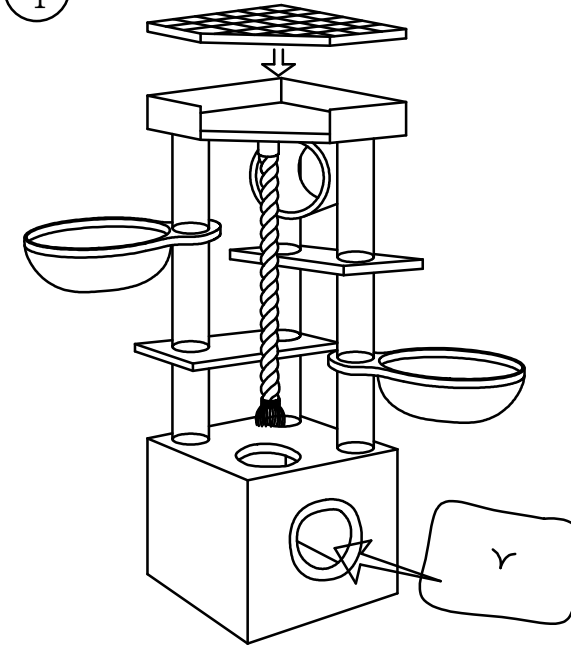
2



3



4



- | | | | | |
|---|---|---|-----------------------------------|--|
| 4x $\varnothing 12 \times 30 \text{ cm } 2/2$ | 1x $60 \times 60 \times 13 \text{ cm } 1/2$ | 1x $60 \times 60 \times 50 \text{ cm } 2/2$ | 1x $55 \times 55 \text{ cm } 1/2$ | 1x $8 \times 60 \text{ mm } 2/2$ |
| 2x $\varnothing 12 \times 31 \text{ cm } 1/2$ | 2x $60 \times 35 \text{ cm } 2/2$ | | | (6+1)x $\varnothing 8 \times 80 \text{ mm (A)}$ |
| 3x $\varnothing 12 \times 40 \text{ cm } 2/2$ | 2x $\varnothing 45 \text{ cm } 1/2$ | | | (14+1)x $\varnothing 8 \times 40 \text{ mm (B)}$ |
| 1x $\varnothing 25 \times 30 \text{ cm } 2/2$ | | | | 1x $\varnothing 8 \times 25 \text{ mm (F)}$ |
| 1x $\varnothing 5 \times 80 \text{ cm } 2/2$ | | | 1x $55 \times 55 \text{ cm } 1/2$ | 3x $\varnothing 8 \times 25 \text{ mm (F)}$ |